

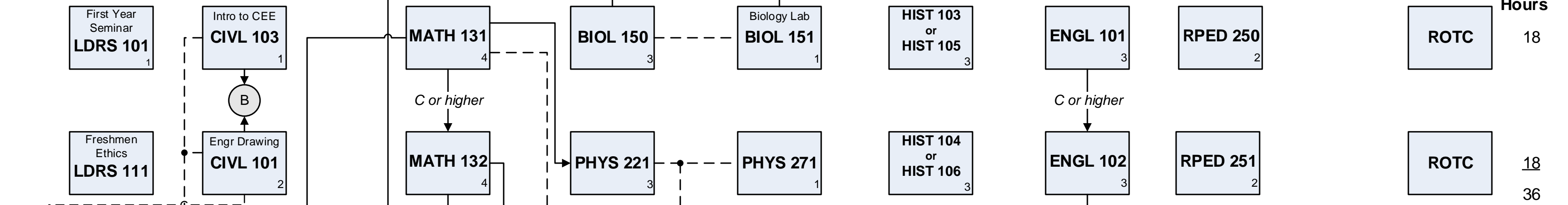
CURRICULUM COURSE & PREREQUISITE PLAN

Civil and Environmental Engineering Department

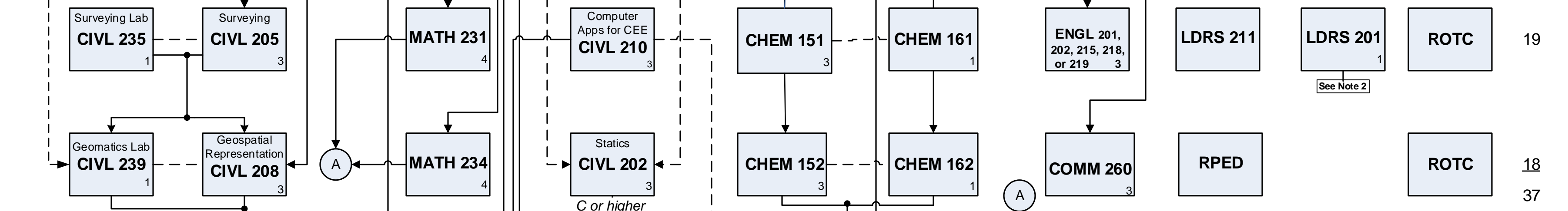
August 2017

**Academic
Credit
Hours**

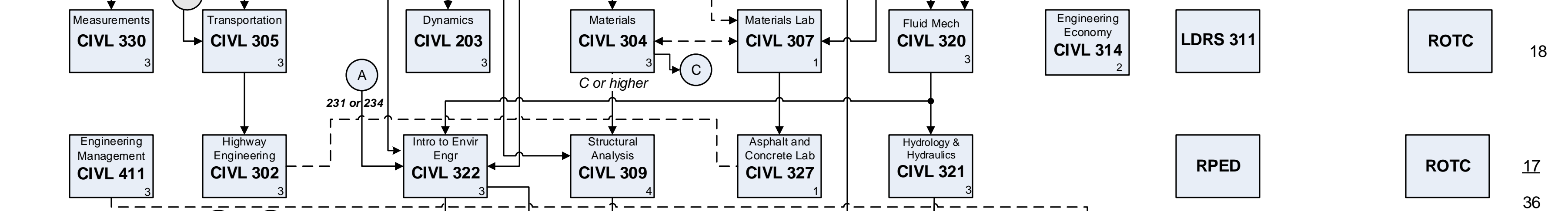
First Year



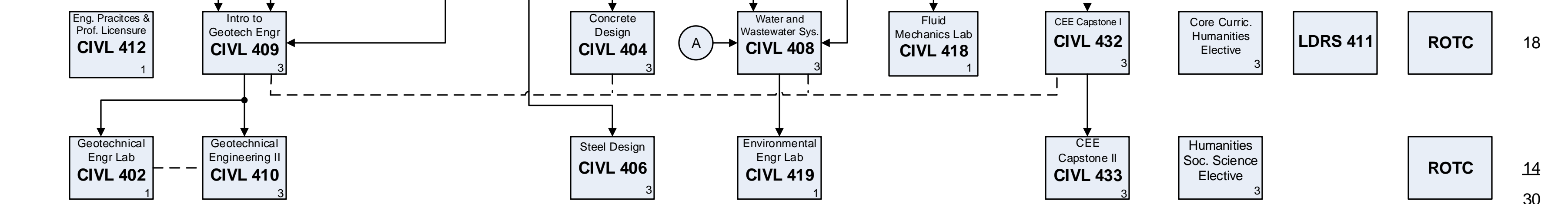
Second Year



Third Year



Fourth Year



Notes:

1. Electives must be taken from a list of approved electives maintained by the Civil and Environmental Engineering Department in completing the required humanities and social science elective requirements.
2. LDRS 211, the Leadership Service Lab, must also be taken and is available in the Fall or Spring.

LEGEND

- Prerequisite
- - - - - Co-requisite
- (A) Connector between two points

30
139